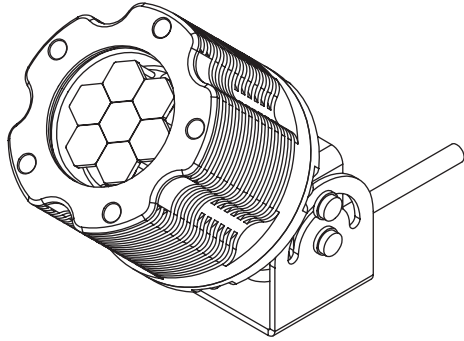


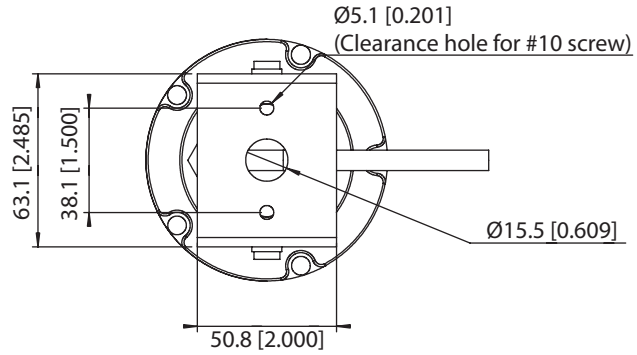
LIGHT WAVE MINI

PHYSICAL DIMENSIONS

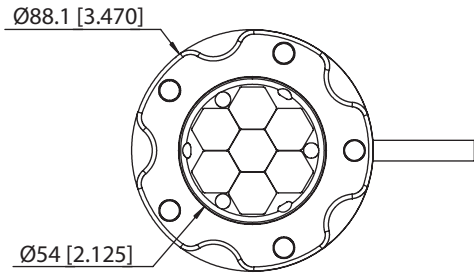
All dimensions are in millimeters (25.4mm = 1 inch)



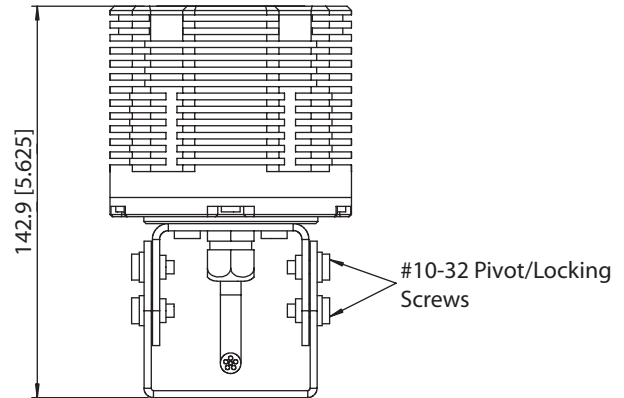
Isometric Elevation



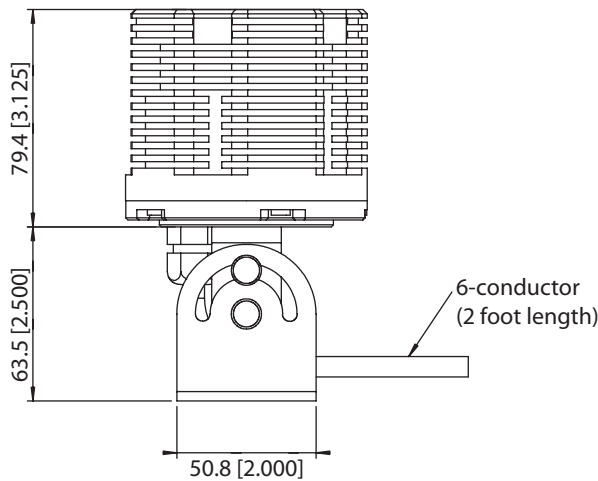
Mounting Bracket Detail



Top View



Side Elevation



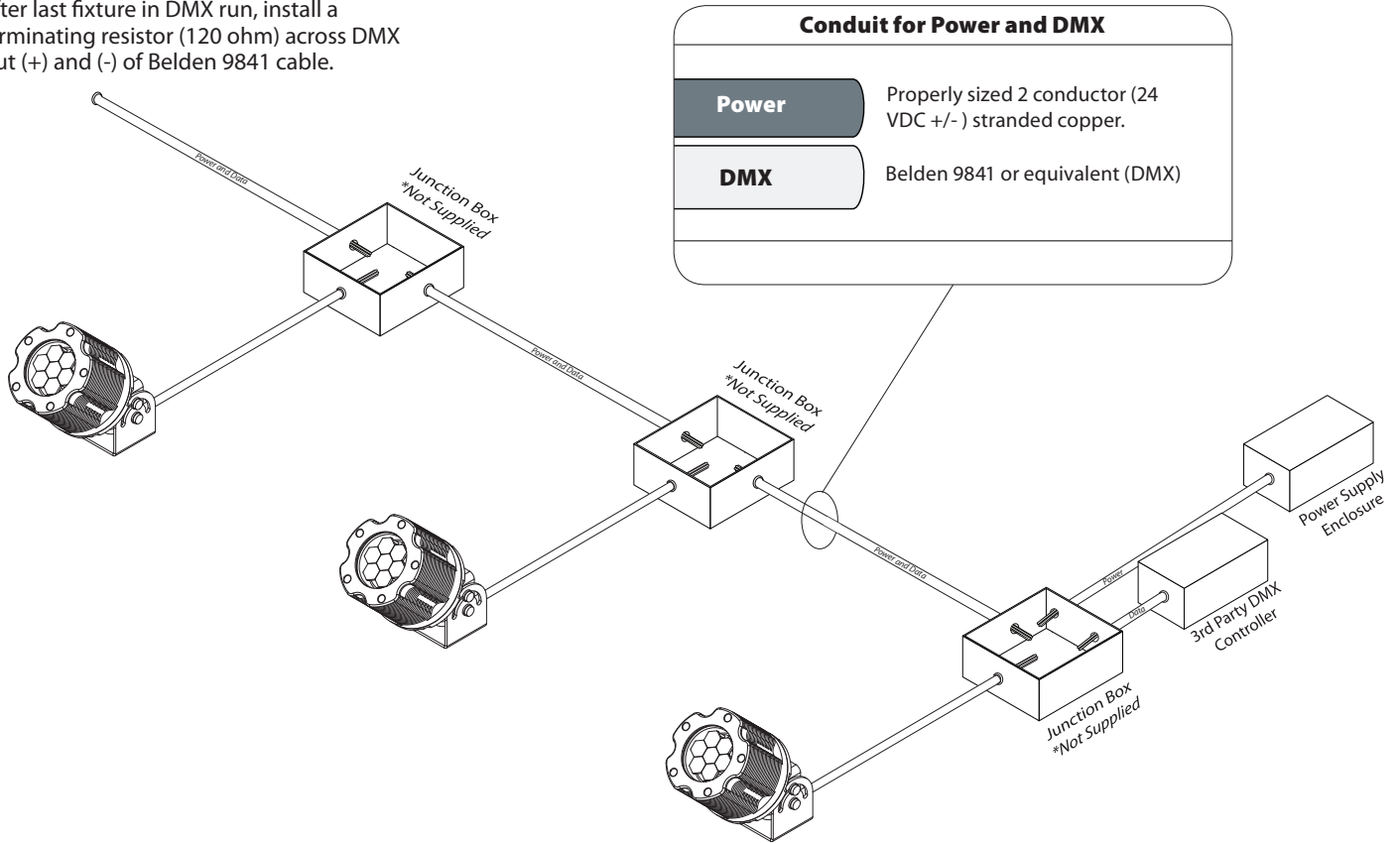
Side Elevation

Specifications subject to change without notice.

LIGHT WAVE MINI

WIRING DIAGRAM

After last fixture in DMX run, install a terminating resistor (120 ohm) across DMX Out (+) and (-) of Belden 9841 cable.



Note: Maximum run length from power supply to last fixture is 150 feet.
Note: Maximum run length from fixture to fixture is 125 feet.
Note: Maximum run length from DMX controller to last fixture is 1000 feet.