

LIGHT WAVE LX

TECHNICAL SPECIFICATIONS



- Denotes specified color.
RGB - Color Changing
R - Red B - Blue
G - Green A - Amber

* - Denotes beam spread option.

WATTAGE: **MODEL NUMBER:**
84W SSV-LX-36-03-#-*

BRIGHTNESS	
Color	Lumens
Red	500
Green	760
Blue	240
White - Balanced	1200
White - Unbalanced	1500

HOUSING:

- Powder coat finish
- IP66 rating (Dry, Wet, Damp)
- Meets or exceeds UL, C-UL, CSA and CE safety standards

UNIT DIMENSIONS (L x W x H):

- 137mm (5.39") x 178mm (7.00") x 238mm (9.38")

UNIT WEIGHT:

- 3.50 kg (7.71 lbs)

SOURCE:

- Selected High Brightness LED

LIFE (MTBF):

- 75,000 hours

COLOR TEMPERATURE:

- Adjustable and addressable
- Available in the following monochrome options: red, green, blue, white, yellow and amber only.

COLOR RANGE:

- Independent blue, red and green LEDs for a full range of smooth and saturated colors
- 24-bit (DMX512 protocol) results in 16.7 million colors
- Fully dimmable - no UV

BEAM SPREADS:

- 8, 24, 48 and 120 degree

LENS:

- Clear tempered glass lens

POWER REQUIREMENT (POWER SUPPLY TO FIXTURE):

- 24VDC

POWER SUPPLY:

- As required

INPUT VOLTAGE TO POWER SUPPLY:

- 85 - 264VAC

POWER CONSUMPTION:

- 91W

CONTROL:

- Approved 3rd party DMX

DATA INTERFACE:

- SmartVision Interface for 24-bit DMX512

OPERATING TEMPERATURE:

- -22°C to +55°C (-7.6°F to +131°F)

ON/OFF SUGGESTIONS:

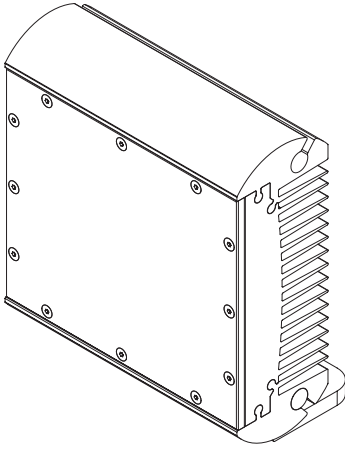
- DMX

ADDITIONAL FEATURES:

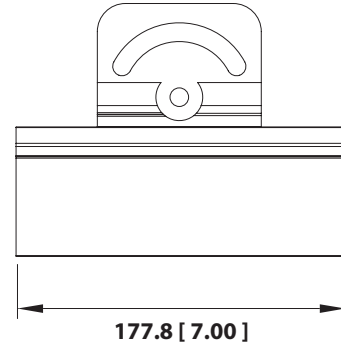
- Electronic dimmer
- All electronics are coated with military grade coating

Specifications subject to change without notice.

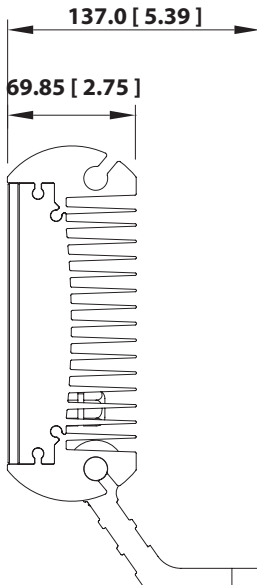
All dimensions are in millimeters (25.4mm = 1 inch)



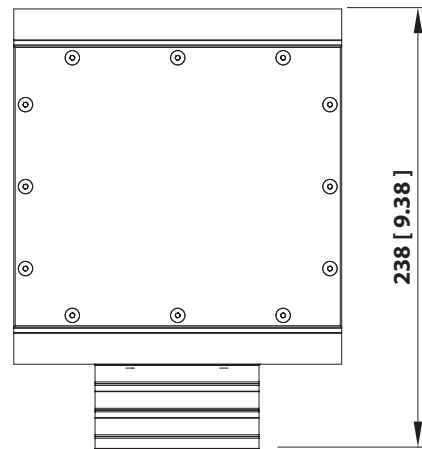
Isometric Elevation



Top View



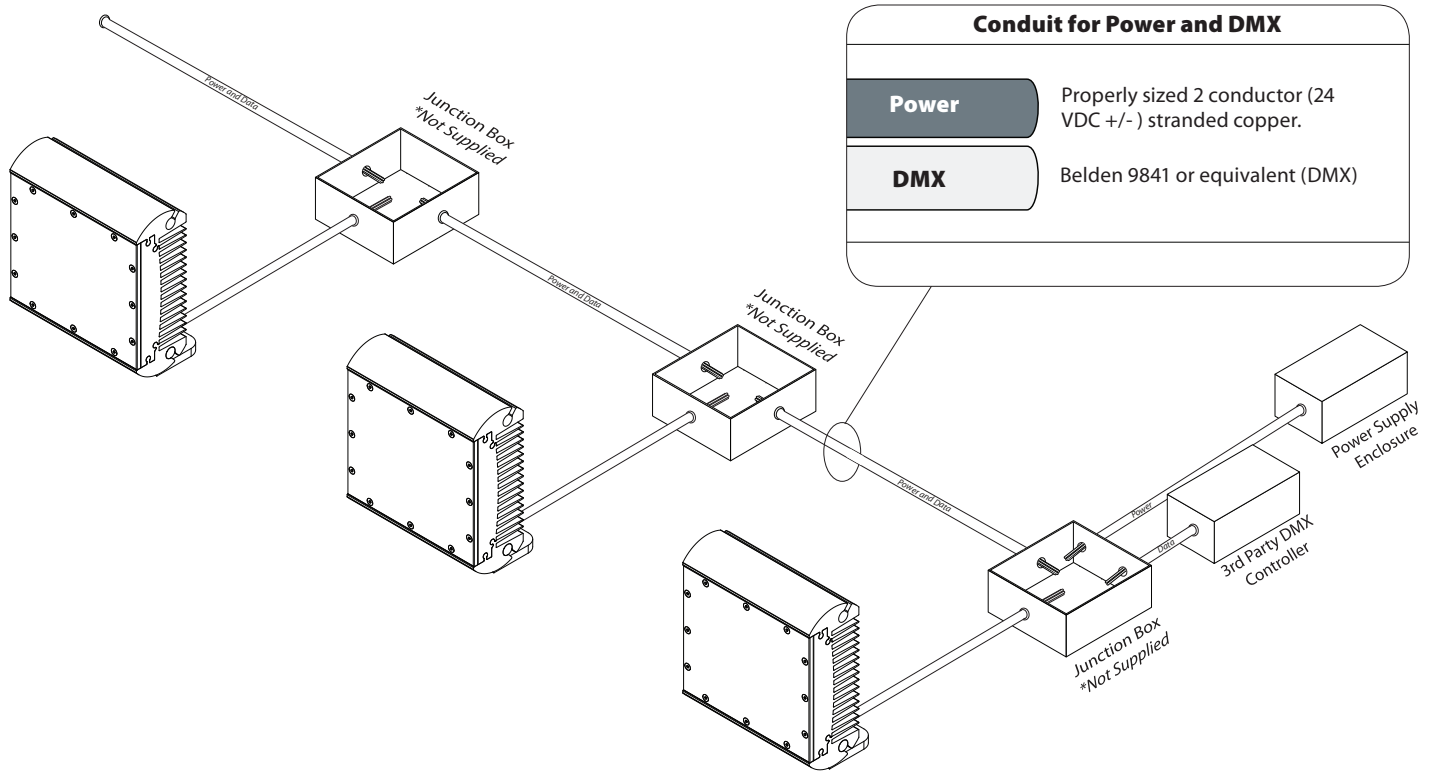
Side View



Front View

Specifications subject to change without notice.

To Next Fixture. Amount of fixtures is determined by the size of the power supply.



Note: Maximum run length from power supply to last fixture is 150 feet.
 Note: Maximum run length from fixture to fixture is 125 feet.
 Note: Maximum run length from DMX controller to last fixture is 1000 feet.

ILL001 Rev. F

Specifications subject to change without notice.