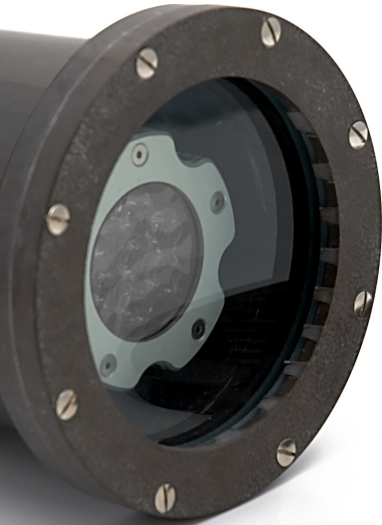


# In-Ground Mini

## Technical Specifications



**HOUSING:**

- Fiberglass housing
- IP66 rating (Dry, Wet, Damp)

**UNIT DIMENSIONS (TOP DIAMETER X BASE DIAMETER X HEIGHT):**

- Ø168mm (6.63") x Ø138mm (5.45") x 225.86mm (8.89")

**UNIT WEIGHT:**

- 2.01kg (4.45 lbs)

**SOURCE:**

- Selected High Brightness 3-watt LED

**LIFE EXPECTANCY:**

- 75,000+ hours

**BEAM SPREADS:**

- 8, 24, 48 and 120 degree

**LENS:**

- Clear tempered glass lens on housing
- Clear Lexan® lens on Light Wave Mini

**COLOR RANGE:**

- 16.7 million additive colors
- Independent red, green and blue LEDs for a full range of smooth saturated colors

**FIXTURE POWER REQUIREMENTS:**

- 24VDC

**FIXTURE OUTPUT:**

- 21W

**POWER CONSUMPTION:**

- 23W

**POWER SUPPLY (SOLD SEPARATELY):**

- Compatible illumivision power supplies: PS-50, PS-100, PS-150, PS-300 and PS-600

**INPUT VOLTAGE TO POWER SUPPLY:**

- 85-264VAC

**CONTROL INTERFACE:**

- DMX Addressable
- AutoADD technology for automatic DMX addressing

**CONTROL SPECIFICATIONS:**

- Controlled by illumivision or approved third party DMX controllers

**OPERATING TEMPERATURE:**

- -22°C to +55°C (-7.6°F to +131°F)

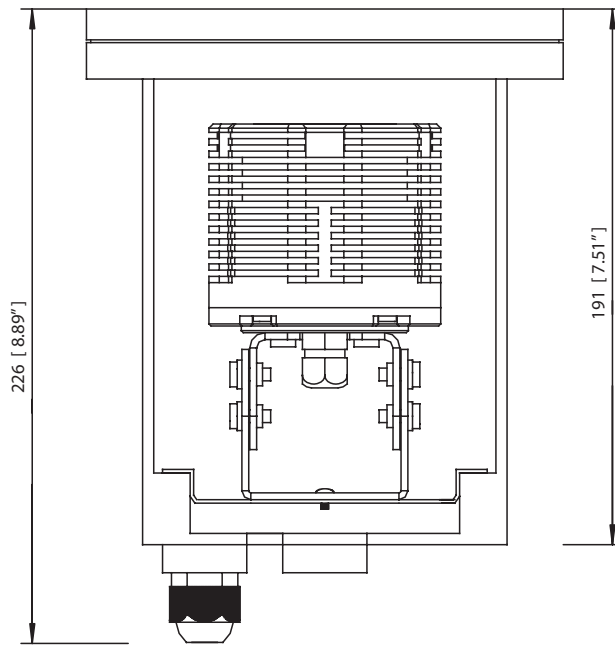
illumivision inc.  
 7224-50th Street  
 Edmonton, Alberta T6B 2J8  
 Tel: 1-888-705-1028  
 Fax: 1-780-461-7299  
 www.illumivision.com

standard order code	IGM	-	C	-	RGB	-	_____
	<b>PRODUCT</b>		<b>LENS COVER</b>		<b>LED LIGHT COLOR</b>		<b>OPTIC</b>
	<b>In-Ground Mini</b>		<b>C</b>		<b>RGB</b>		<b>8</b>
			Clear		Color Changing		<b>24</b>
							<b>48</b>
							<b>120</b>

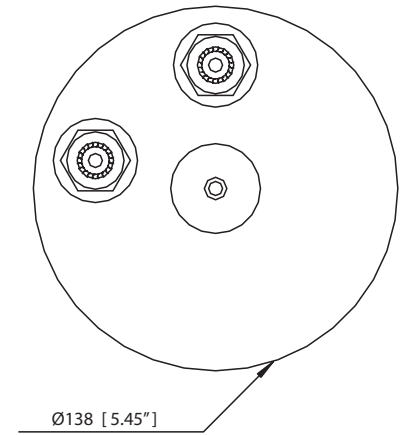
Specifications subject to change without notice.

# In-Ground Mini

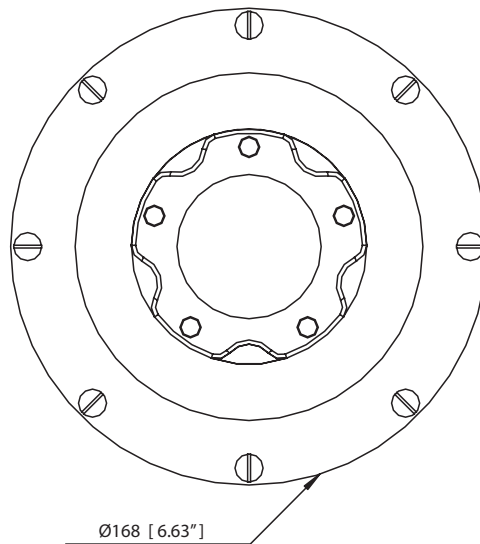
## Physical Dimensions



Side Elevation



Base View



Top View

**illumivision inc.**  
7224-50th Street  
Edmonton, Alberta T6B 2J8  
Tel: 1-888-705-1028  
Fax: 1-780-461-7299  
www.illumivision.com

Specifications subject to change without notice.

# In-Ground Mini

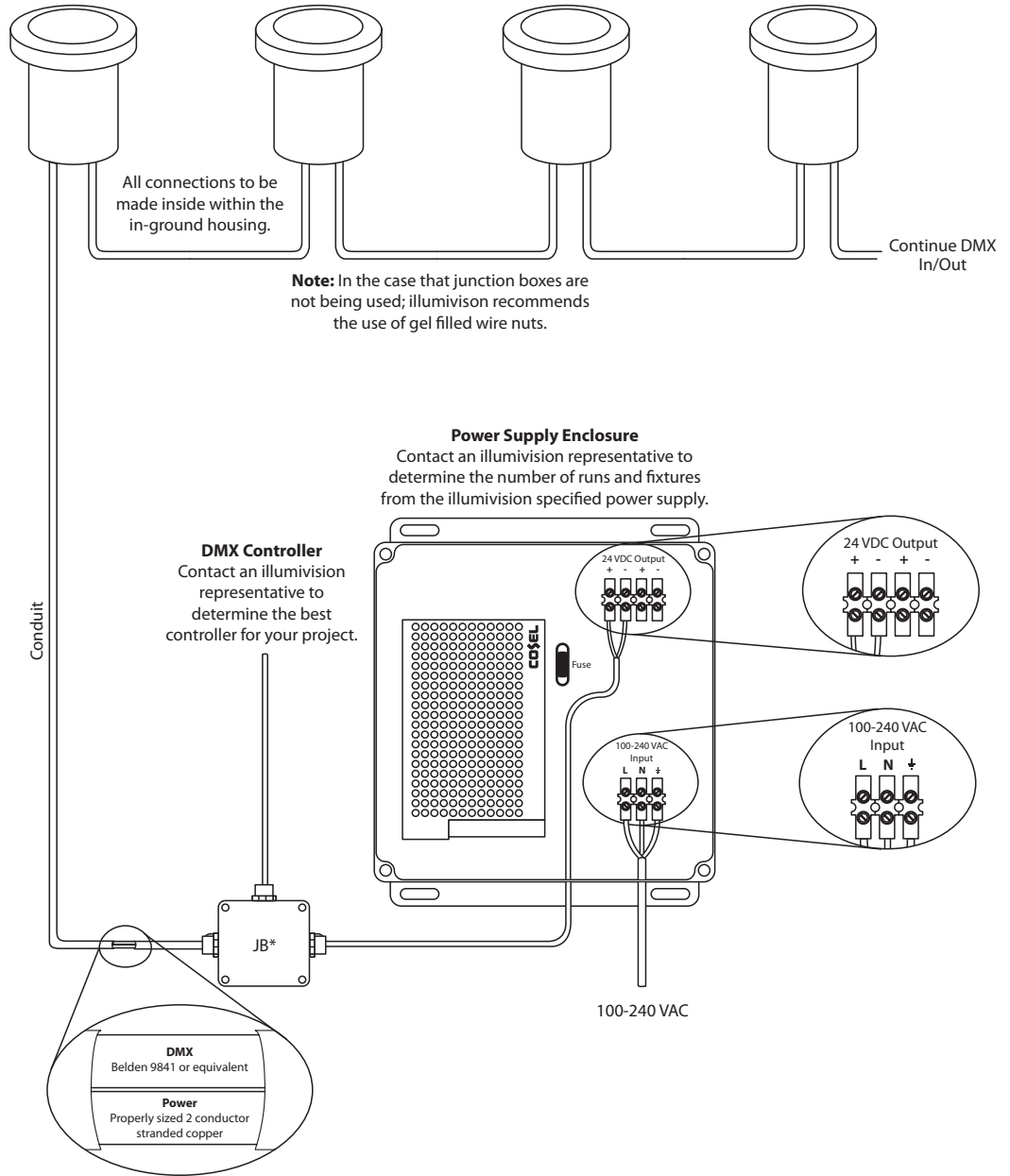
## Daisy Chain Wiring Diagram

**Note: Maximum run length from power supply to last fixture: 150 feet.**

**Note: Inline amplifier required if run length exceeds: 125 feet between fixtures.**

**Note: Maximum run length from DMX controller to last fixture: 1000 feet.**

**Note: DMX must be continuous from controller to last fixture in a run. A splitter is needed if signal is split.**



**illumivision inc.**  
7224-50th Street  
Edmonton, Alberta T6B 2J8  
Tel: 1-888-705-1028  
Fax: 1-780-461-7299  
www.illumivision.com

Specifications subject to change without notice.

# In-Ground Mini

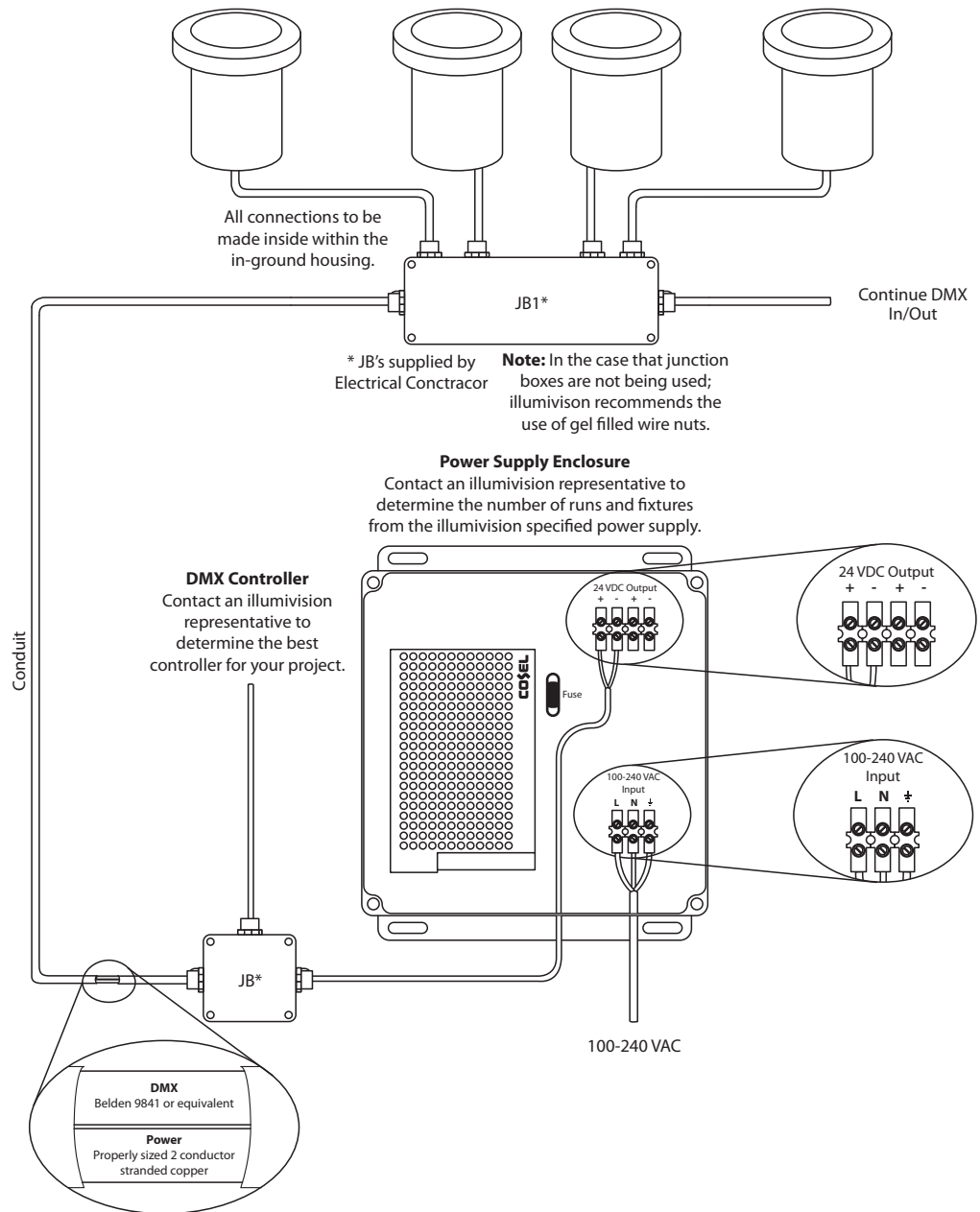
## Home Run Wiring Diagram

**Note: Maximum run length from power supply to last fixture: 150 feet.**

**Note: Inline amplifier required if run length exceeds: 125 feet between fixtures.**

**Note: Maximum run length from DMX controller to last fixture: 1000 feet.**

**Note: DMX must be continuous from controller to last fixture in a run. A splitter is needed if signal is split.**



**illumivision inc.**  
7224-50th Street  
Edmonton, Alberta T6B 2J8  
Tel: 1-888-705-1028  
Fax: 1-780-461-7299  
www.illumivision.com

Specifications subject to change without notice.