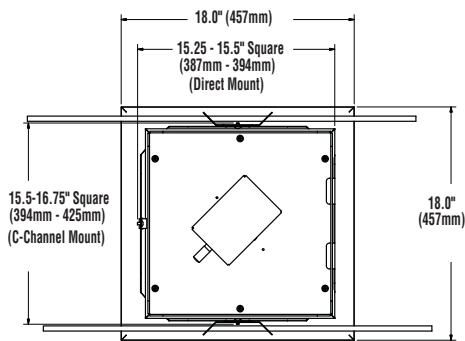


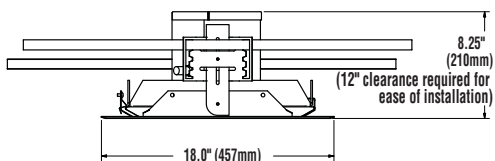
LED CROSSOVER SOFFIT LIGHT (XSL)



DIMENSIONS



TOP VIEW



SIDE VIEW

SHIPPING WEIGHT - 14 lbs. (6.4kg)

U.S. Patent D574994 and other U.S. and international patents pending

APPLICATIONS

Designed for recessed downlighting applications such as soffits and canopies

PRODUCT HIGHLIGHTS

- Technologically advanced solid-state LED lighting designed for 60,000+ hours of maintenance-free operation. Significant energy saving is realized over HID and fluorescent luminaires.
- Easy installation in new or retrofit applications. Simply direct mount or suspend the mounting frame from channel bars, slide the one-piece optical unit and driver assembly through the opening and snap into place.
- Thermal protector included standard for use in insulated spaces
- Wet location, IP65 rated for outdoor environments

HOUSING/LENS - Housing is die-formed aluminum with a gasketed clear tempered glass lens providing a water-resistant seal. Weather-tight aluminum enclosure contains factory prewired driver to ensure no water entry. Sealed optical unit containing LEDs rated IP65.

LED - Select high-brightness LEDs with 60,000 hour life. 5000°K color temperature (nominal).

MOUNTING - Direct mounts with screws through the trim frame (standard). Optional channel bar kit available to suspend assembly from ceiling joists.

ELECTRICAL - Universal frequency power supply (50/60 Hz). Supply voltage must be specified for pre-wired thermal protectors.

LIGHT OUTPUT - 4000 Lumens with an input power of 60 watts.

OPERATING TEMPERATURE - -40°C to +50°C. (-40°F to +122°F).

DRIVER - State-of-the-Art driver technology designed specifically for LSI LED light sources provides unsurpassed system efficiency. Driver will operate with input of 120V thru 277V (50/60 Hz). Components are fully encased in potting material for moisture resistance. Driver complies with IEC and FCC standards.

FINISHES - Each fixture is finished with LSI's Duragrip[®] polyester powder coat finishing process. The Duragrip finish withstands extreme weather changes without cracking or peeling, and is guaranteed for five full years. Standard color is white.

WARRANTY - Limited 3-year warranty.

PHOTOMETRICS - Application layouts are available upon request. Contact LSI Lighting Solutions *Plus*.

LISTING - Listed to U.S. and Canadian safety standards. Suitable for wet or damp locations.



Suitable for wet locations

IP65



PRODUCT ORDERING INFORMATION

TYPICAL ORDER EXAMPLE: **XSL S LED 50 CW 120 WHT CMT**

Prefix	Distribution	Light Source	Qty. LED's	Color Temp.	Line Voltage	Finish	Options
XSL - Soffit Light	S - Symmetrical	LED - Light Emitting Diode	50	CW - Cool White (5000° K nom.)	120 - 120 208 - 208 240 - 240 277 - 277	WHT - White	CMT - Channel Bar Mounting Kit

12/23/08

© 2009
LSI INDUSTRIES INC.

Project Name _____ Fixture Type _____
Catalog # _____