

LED CROSSOVER GARAGE LIGHT (XPG)

U.S. and international patents pending

APPLICATIONS

This luminaire is designed for enclosed or open-sided parking structures in retrofit or new construction. Suitable for higher ambient temperature conditions.

PRODUCT HIGHLIGHTS

- Technologically advanced solid-state LED lighting designed for 60,000+ hours of maintenance-free operation. Significant energy saving is realized over HID and fluorescent luminaires.

HOUSING/LENS - The XPG features a slim 4-11/16" profile. Housing is die-formed aluminum with a gasketed clear tempered glass lens providing a water-resistant seal. Weather-tight aluminum enclosure contains factory prewired driver to ensure no water entry and provide "knock-out" entry for primary wiring.

LED - Select high-brightness LEDs with 60,000 hours life. 5000°K color temperature (nominal).

MOUNTING - Rigid 3/4" pendant mount or direct surface mount to 4" (102mm) Octagon box (box by others).

ELECTRICAL - Universal voltage power supply (120-277 VAC, 50/60 Hz).

LIGHT OUTPUT - 3530 Lumens with an input power of 60 watts.

OPERATING TEMPERATURE - -40°C to +50°C. (-40°F to +122°F).

DRIVER - State-of-the-Art driver technology designed specifically for LSI LED light sources provides unsurpassed system efficiency. Driver will operate with input of 120V thru 277V (50/60 Hz). Components are fully encased in potting material for moisture resistance. Driver complies with IEC and FCC standards.

FINISHES - Each fixture is finished with LSI's Duragrip[®] polyester powder coat finishing process. The Duragrip finish withstands extreme weather changes without cracking or peeling, and is guaranteed for five full years. Standard colors include black, white, and metallic silver.

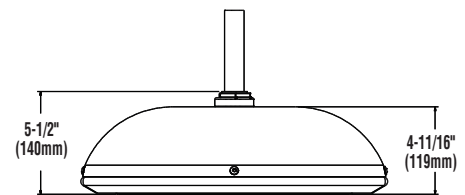
WARRANTY - Limited 3-year warranty.

PHOTOMETRICS - Application layouts are available upon request. Contact LSI Lighting Solutions *Plus*.

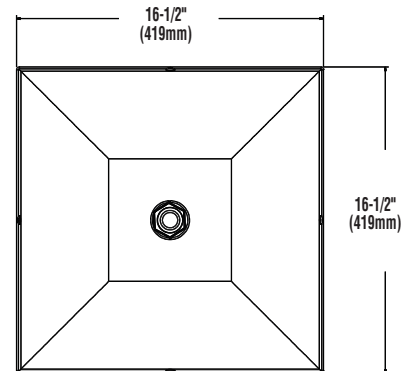
LISTING - Listed to U.S. and Canadian safety standards. Suitable for wet locations.



DIMENSIONS



SIDE VIEW



TOP VIEW

SHIPPING WEIGHT - 14 lbs. (6.35kg)



Suitable for wet locations



PRODUCT ORDERING INFORMATION

TYPICAL ORDER EXAMPLE: **XPGD 5 LED 50 CW UE MSV**

Prefix	Distribution	Light Source	Qty. LED's	Color Temp.	Line Voltage	Finish
XPGD - Direct	5 - IES Type V	LED - Light Emitting Diode	50	CW - Cool White (5000° K nom.)	UE - Universal Electronic (120-277)	WHT - White BLK - Black MSV - Metallic Silver
XPGP - Pendant						

12/23/08

© 2009
LSI INDUSTRIES INC.

Project Name _____ Fixture Type _____

Catalog # _____