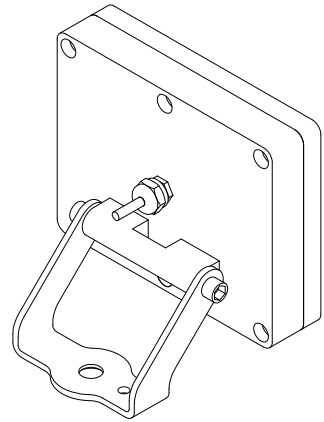
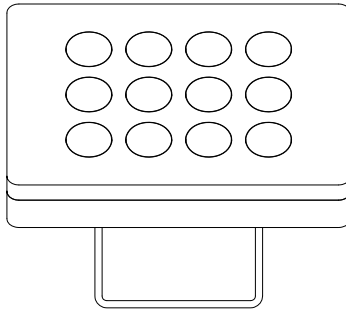
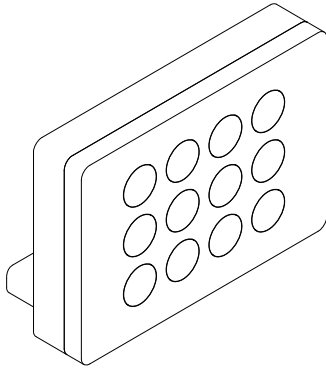


## SL- WL4X3 SERIES (WALL WASHER)



### Highlight Features:

- Elegant mini appearance design for both indoor and outdoor applications.
- Small and exquisite appearance designing is convenient to install, at the bottom, there is special fix hole for fixing firmly.
- Easy installation with the assistance of mounting gears and rotating
- High output Warm White, Cool White or RGB (4R/4G/4B) LED
- Light source: 12 LEDs Square Wall Washer adopt 1Watt high power LED
- 50,000 hours life cycle
- Water-resistant rank is IP65, superior airproof structure efficiently stop water penetration due to the thermal expansion and contraction.

### Technical Characteristics:

- Color temperature: Warm White (2700~3200k), Cool White (5500~6000k)
- To be used with 350mA constant current led driver
- Working Voltage for RGB: 24VDC, DMX Control
- Power Consumption: 14 Watts Max.
- Clear Brushed Aluminum Body with Optically clear flat tempered glass cover
- Ambient operating temperature range -40 to +50 degree Celsius

### Design Application:

- This wall washer can be widely used in inner building, outer decoration, stages, exhibition and architectural complex.
- Floodlighting and wall washing for bars, clubs, hotels, parks, plazas, commercial buildings facade, mosques, museums, and art galleries, historical buildings, etc.

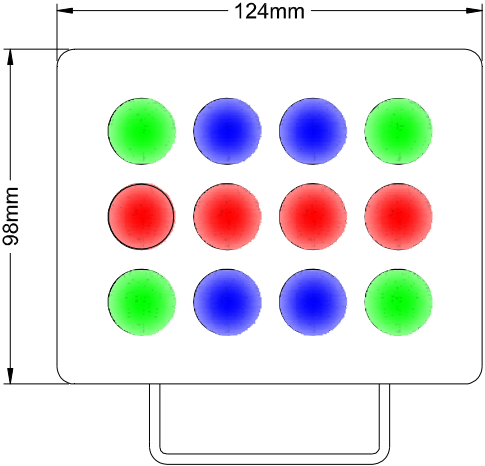
### Typical Lighting Ordering Example:

**SL-WL4X3 – WW** Waterproof Wall Washer with 12pcs LED

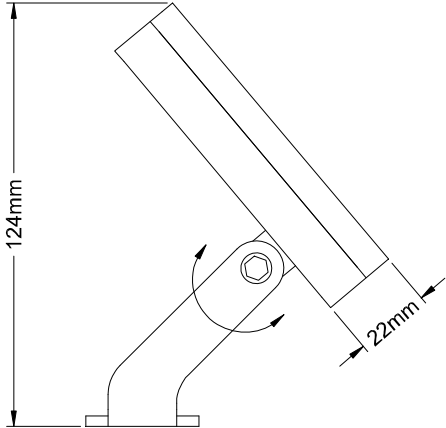
<b>SL-WL4X3</b>	<u>LED Qty.</u>	<u>LED color</u>	<u>Optic*</u>
	12 LEDs	<b>WW</b> – Warm White	15° lens
		<b>WH</b> - White	
		<b>RGB</b> – Red/Green/Blue	

# SL- WL4X3 SERIES (WALL WASHER)

## Installation:



FRONT VIEW



SIDE VIEW

## Wiring Connection:

