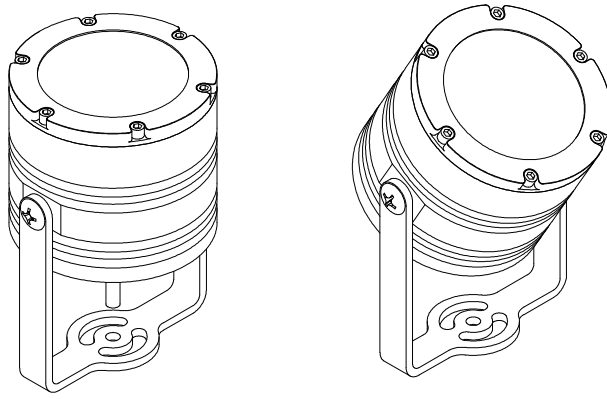


## MINI SPOT LIGHT (SERIES PICCOLINO)



### Highlight Features:

- Designed for spot lighting and wall washing
- Easy installation with the multi-positional, locking bracket
- Light Source: 3 x 1 Watt LED, Color available White/Warm White/Red/Green/Blue
- Color Temperature: White 5200K, Warm White 3200K
- 50,000 hours life cycle
- Reverse polarity protected
- Water Resistant IP65

### Technical Characteristics:

- Clear Hard Anodized Aluminum Body
- Working Voltage: 12-24V AC/DC
- Power consumption: 3 Watts
- Lens diameter: 41 mm
- Fixture cable lead length: 30cm
- Ambient operating temperature range -35 to +45 degree Celsius

### Design Application:

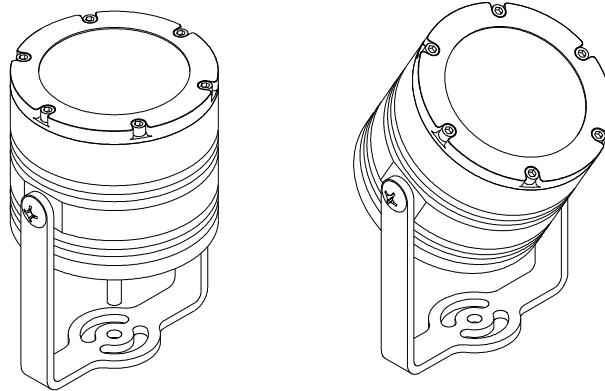
- Landscape Accent/Spot lighting
- Architectural Lighting
- Mood Lighting/General lighting
- Amusement Park Accent

### Typical Lighting Ordering Example:

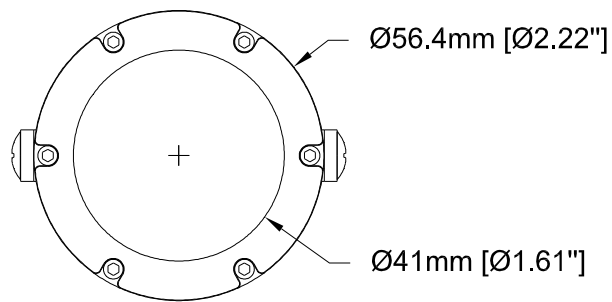
#### **SL - SPOT3 - WH - S**

<u>Product Series</u>		<u>LED color</u>		<u>Optic available</u>
<b>SL - SPOT3</b>	-	WH - White	-	S - Small
		WW - Warm White		M - Medium
		RD - Red		W - Wide
		GN - Green		
		BL - Blue		

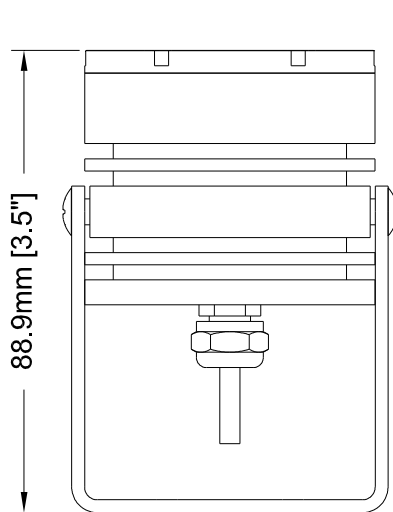
# MINI SPOT LIGHT (SERIES PICCOLINO)



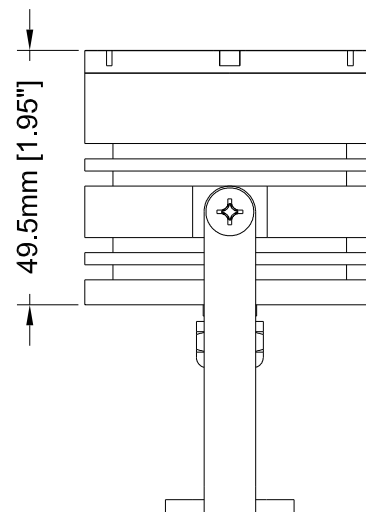
## Installation:



TOP VIEW



FRONT VIEW



SIDE VIEW